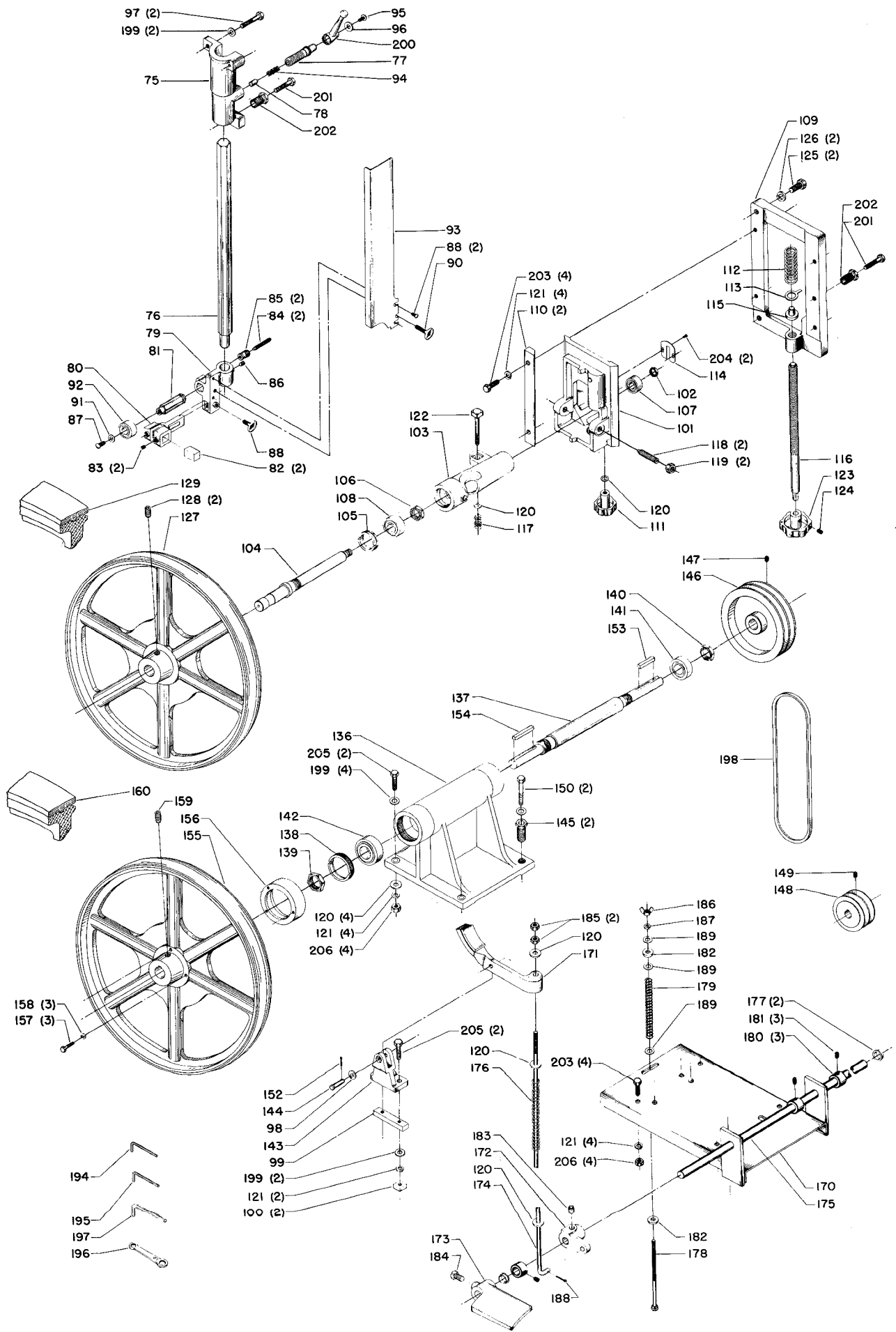




# Replacement Parts

Ref. No.	Part No.	Description	Ref. No.	Part No.	Description
1	Cannot Furnish	Frame Ass'y.	34	901-04-190-0225	5/16-18 X 1/4" Soc. Set Scr.
2	426-04-331-5004	Lower Door	35	902-01-010-1300	5/16-18 Hex Nut
3	426-04-331-5006	Upper Door	36	904-01-010-1620	11/32 X 11/16 X 1/16" Steel Washer
4	426-04-331-5008	Rear Door	37	920-04-020-5335	Bearing
5	Cannot Furnish	Hinge	38	426-04-036-5001	Deflector
6	Cannot Furnish	Hinge	39	904-10-031-4511	Spacer
7	961-04-021-5001	Hinge	40	928-01-041-4146	Spring
8	426-04-091-5002	Table	41	426-04-063-5002	Table Inset
9	426-04-314-5005	Bracket, Incl:	42	Nameplate	By Request Only
10	951-02-011-3991	Scale	43	402-05-075-5001	Pointer
11	901-06-450-2252	#2 X 3/16" Drive Scr.	44	906-00-000-2437	1/8" Hex Soc. Pipe Plug
12	426-04-095-5001	Front Trunnion	45	426-02-027-0001	Table Clamp Shoe
13	426-04-095-5002	Rear Trunnion	46	402-04-031-5002	Switch Cover
14	426-04-026-5001	Dust Spout	47	902-04-030-1408	Serrated Nut
15	931-02-011-4758	Knob	48	901-04-020-0306	1/4-20 X 3/4" Sq. Hd. Set Scr.
16	426-04-019-5001	Cam	49	901-02-010-0502	1/4-20 X 1/4" Rd. Hd. Scr.
17	901-04-150-0208	1/4-20 X 1/4" Soc. Set Scr.	50	901-02-010-0567	#6-32 X 1/4" Rd. Hd. Scr.
18	426-04-112-5001	Special Screw	51	901-06-450-2250	#4 X 3/16" Drive Scr.
19	426-04-004-5003	Bar	52	901-02-010-0559	#10-32 X 1/2" Rd. Hd. Scr.
*	426-04-314-5004	Lower Blade Guide, Const. Of:	53	901-02-140-0584	#10-32 X 3/8" Binding Hd. Scr.
20	426-04-055-5001	Straight Guide Block	54	901-01-060-0617	3/8-16 X 1-1/2" Hex Hd. Scr.
21	426-04-014-5006	Bracket	55	901-01-060-0642	3/8-16 X 1" Hex Hd. Scr.
22	426-04-004-5004	Rail	56	901-01-060-0648	3/8-16 X 1-1/4" Hex Hd. Scr.
23	426-04-014-5007	Adj. Bracket	57	902-01-040-1026	3/8-16 Hex Nut
24	426-04-055-5002	Angular Guide Block	58	902-01-120-1034	1/4-20 Hex Nut
25	931-02-991-4756	Adj. Scr.	59	902-01-120-1203	#10-32 Hex Nut
26	426-04-106-5005	Shaft	60	Nameplate	By Request Only
27	904-10-101-3173	Spacer	61	904-01-010-1615	13/32 X 13/16 X 1/16" Washer
28	426-04-079-5003	Adj. Link	63	904-03-020-1775	#10 Internal Tooth Lockwasher
29	931-02-991-3465	Adj. Screw	64	901-01-060-3114	7/16-14 X 2-1/2" Hex Hd. Scr.
30	426-02-098-0001	Wedge	65	901-02-120-7528	1/4-20 X 1/2" Truss Hd. Scr.
31	928-01-021-3387	Spring	66	931-04-010-3635	Clamp Handle
32	426-03-388-0001	Set Collar, Incl:			
33	901-04-150-0208	1/4-20 X 1/4" Soc. Set Scr.	*	NOT SHOWN ASSEMBLED	



# Replacement Parts

Ref. No.	Part No.	Description	Ref. No.	Part No.	Description
75	426-04-014-5009	Guide Post Bracket	*	426-04-358-5001	Lower Wheel Headstock, Const. Of:
76	426-04-110-5001	Guide Post	136	426-04-058-5002	Headstock
77	426-04-112-5002	Clamp Screw	137	426-04-106-5006	Shaft
78	426-04-074-5002	Brass Plug	138	426-04-079-5004	Spanner Nut
*	426-04-314-5003	Upper Blade Guide, Const. Of:	139	426-04-079-5005	Bearing Lock Nut
79	426-04-014-5004	Support Bracket	140	426-04-079-5006	Special Jam Nut
80	426-04-014-5005	Bracket	141	920-08-020-5339	Bearing
81	426-04-106-5004	Shaft	142	920-08-020-5340	Bearing
82	426-04-055-5001	Straight Guide Block	143	426-04-014-5003	Bracket
83	901-04-190-0225	5/16-18 X 1/4" Soc. Set Scr.	144	426-04-106-5001	Steel Pin
84	901-04-081-3629	Adj. Scr.	145	426-04-112-5003	Special Screw
85	902-08-041-3064	Adj. Nut	146	926-02-991-4673	Drive Pulley, Incl:
86	901-04-190-0201	5/16-18 X 5/16" Soc. Set Scr.	147	901-04-150-0206	5/16-18 X 5/16" Soc. Set Scr.
87	901-02-010-0506	5/16-18 X 5/8" Rd. Hd. Scr.	148	41-504	Motor Pulley, Incl:
88	901-02-010-0514	1/4-20 X 3/8" Rd. Hd. Scr.	149	901-04-190-0201	5/16-18 X 5/16" Soc. Set Scr.
89	901-04-260-1520	5/16-18 X 1/2" Thumb Scr.	150	901-01-060-0604	3/8-16 X 2-1/4" Hex Hd. Scr.
90	901-04-260-1528	5/16-18 X 1" Thumb Scr.	152	905-05-040-2101	3/32 X 5/8" Cotter Pin
91	904-01-010-1620	11/32 X 11/16 X 1/16" Steel Washer	153	927-03-010-2620	1/4 X 1/4 X 1-1/2" Key
92	920-04-020-5335	Bearing	154	927-03-010-2653	1/4 X 1/4 X 1-15/16" Key
93	426-04-054-5001	Blade Guard	155	426-04-400-5002	Lower Wheel, Incl:
94	928-01-041-3361	Spring	156	426-04-015-5003	Brake Drum
95	901-01-060-0611	1/4-20 X 1/2" Hex Hd. Scr.	157	901-01-060-0623	1/4-20 X 1" Hex Hd. Scr.
96	904-01-010-1614	9/32 X 5/8 X 1/16" Steel Washer	158	904-02-020-1704	1/4" Split Lockwasher
97	901-01-060-3102	3/8-16 X 1-3/4" Hex Hd. Scr.	159	901-04-150-1133	1/2-20 X 3/4" Soc. Set Scr.
98	928-05-001-5878	Spring Washer	160	426-04-094-5002	Tire
99	426-04-079-5007	Retainer	170	426-04-372-5001	Motor Plate
100	902-02-040-1307	3/8-16 Sq. Nut	171	426-04-315-5001	Brake Shoe w/Lining
101	426-04-084-5001	Slide	172	426-04-067-5001	Brake Lever
*	426-05-358-5001	Upper Wheel, Headstock, Const. Of:	173	426-04-067-5002	Treadle
102	902-01-201-2558	Bearing Nut	174	426-04-108-5001	Brake Rod
103	426-05-058-5001	Headstock	175	426-04-106-5007	Shaft
104	426-05-106-5005	Shaft	176	928-01-301-8880	Brake Spring
105	406-03-079-0001	Spanner Nut	177	426-04-017-5001	Brass Bushing
106	426-04-079-5006	Special Jam Nut	178	901-11-521-4354	Bolt
107	920-08-020-5336	Bearing	179	928-01-021-4145	Spring
108	920-04-020-5383	Bearing	180	434-01-404-0001	Set Collar, Incl:
109	426-04-072-5007	Slide Plate	181	901-04-190-0201	5/16-18 X 5/16" Soc. Set Scr.
110	426-04-052-5001	Gib	182	904-08-021-3886	Rubber Washer
111	931-02-011-4758	Knob	183	901-04-150-0210	1/2-13 X 1/2" Soc. Set Scr.
112	928-01-041-4149	Spring	184	901-04-020-0345	1/2-13 X 5/8" Sq. Hd. Set Scr.
113	951-01-011-3992	Pointer	185	902-01-010-5900	3/8-16 Hex Jam Nut
114	426-04-072-5009	Tension Scale	186	902-04-010-1403	5/16-18 Wing Nut
115	426-04-074-5001	Plug	187	904-02-010-1703	5/16" Split Lockwasher
116	952-01-121-3268	Tension Screw	188	905-05-040-2107	1/8 X 3/4" Cotter Pin
117	928-01-041-4148	Spring	189	904-01-010-1605	3/8 X 7/8 X .083" Steel Washer
118	901-04-530-6149	Special Scr.	194	48-245	5/32" Hex Soc. Wrench
119	902-01-020-1266	1/2-13 Hex Jam Nut	195	48-248	3/16" Hex Soc. Wrench
120	904-01-010-1606	7/16 X 1 X .083" Steel Washer	196	40-526	Double End Wrench
121	904-02-020-1704	3/8" Split Lockwasher	197	Cannot Furnish	1/4" Hex Soc. Wrench
122	901-11-010-2371	3/8-16 X 2-1/2" Sq. Hd. Bolt	198	49-140	V-Belt (Matched set of 12)
123	931-03-991-4766	Handwheel, Incl:	199	904-01-010-1615	13/32 X 13/16 X 1/16" Washer
124	901-04-150-0206	5/16-18 X 5/16" Soc. Set Scr.	200	931-04-010-3635	Clamp Handle
125	901-01-060-0628	1/2-13 X 1" Hex Hd. Scr.	201	901-01-060-0617	3/8-16 X 1-1/2" Hex Hd. Scr.
126	904-02-020-1705	1/2" Split Lockwasher	202	426-04-112-5001	Spec. Screw
127	426-04-400-5001	Upper Wheel, Incl:	203	901-01-060-0642	3/8-16 X 1" Hex Hd. Scr.
128	901-04-150-1133	1/2-20 X 3/4" Soc. Set Scr.	204	901-02-010-0567	#6-32 X 1/4" Rd. Hd. Scr.
129	426-04-094-5002	Tire	205	901-01-060-0648	3/8-16 X 1-1/4" Hex Hd. Scr.
			206	902-01-040-1026	3/8-16 Hex Nut

\* NOT SHOWN ASSEMBLED